



Tortech

Total Transformer Solutions ABN. 31 801 764 359

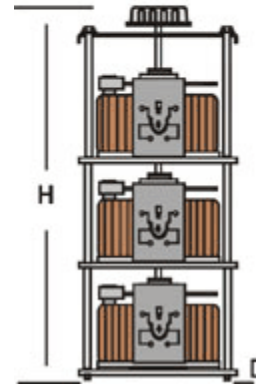
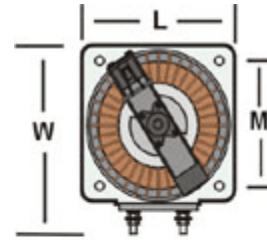
TORTECH Pty Ltd & TRANSTEST Pty Ltd
 t/a TORTECH - A Limited Partnership
 4/31 Wentworth St Greenacre NSW 2190
 Po Box 194 Nth Strathfield NSW 2137
 Tel: (02) 9642 6003 Fax: (02) 9642 6127
 Email: general@tortech.com.au
 Website: www.tortech.com.au

SPECIFICATIONS

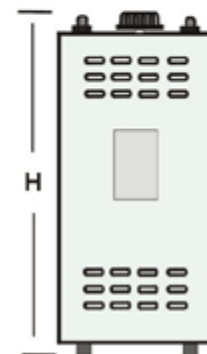
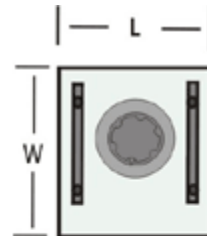
Dimmer Dot

Variable AC Voltage Auto Transformer
THREE PHASE - MANUAL - AIR COOLED

Open Back/Panel Mount								
Input 400/415 Volts 50 Hz								
Output 0 - 450/470 Volts								
Type	Nom. Amps	Cont. Amps	H	W	L	M	D	Wt
D-23-OB	2	1.9	400	127	117	92	6	11
D-43-OB	4	3.9	480	190	175	146	10	20
D-83-OB	8	7	520	190	175	146	10	27
D-103-OB	10	9	520	210	192	154	10	32
D-153-OB	15	12	535	240	220	176	10	44
D-203-OB	20	17	675	290	250	204	12	58
D-283-OB	28	23	675	345	295	238	12	80



Portable/Enclosed						
Input 400/415 Volts 50 Hz						
Output 0 - 450/470 Volts						
Type	Nom. Amps	Cont. Amps	H	W	L	Wt
D-23-P	2	1.9	410	165	145	14
D-43-P	4	3.9	510	250	200	26
D-83-P	8	7	550	250	200	33
D-103-P	10	9	550	280	225	40
D-153-P	15	12	555	310	245	53
D-203-P	20	17	670	405	320	73
D-283-P	28	23	670	440	360	95



See separate oil cooled specs for larger capacity

All dimensions [mm] & weights [Kg] are approx. only



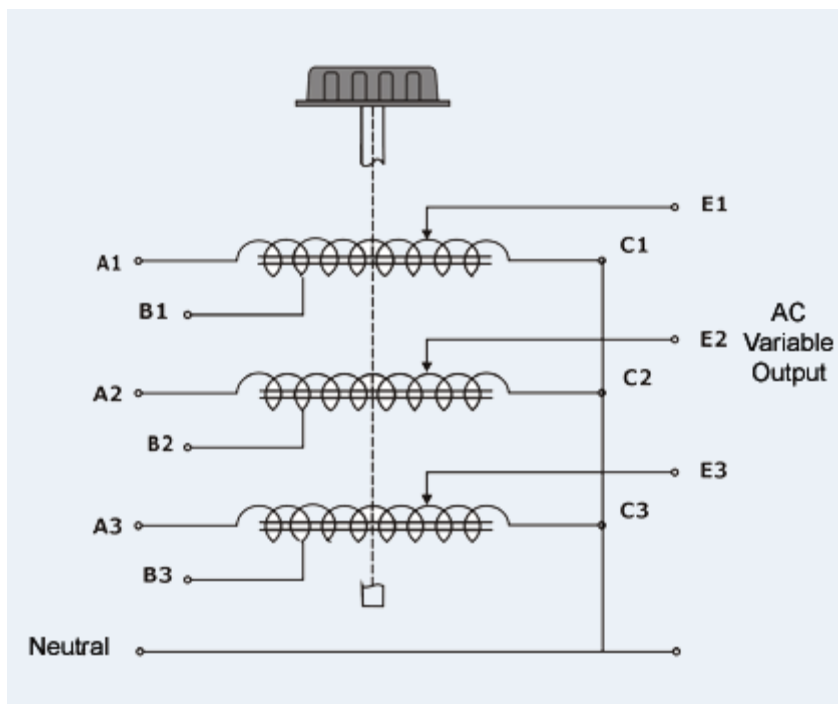
TorTech

Total Transformer Solutions ABN. 31 801 764 359

TORTECH Pty Ltd & TRANSTEST Pty Ltd
t/a TORTECH - A Limited Partnership
4/31 Wentworth St Greenacre NSW 2190
Po Box 194 Nth Strathfield NSW 2137
Tel: (02) 9642 6003 Fax: (02) 9642 6127
Email: general@tortech.com.au
Website:www.tortech.com.au

Dimmer Dot Variable AC Voltage Auto 1

Three Phase - Manual
(P) Portable - Bench top
(OB) Open Back - Panel Mount
Air or Oil Cooled



400/415 Volt AC 50Hz Line Input to **A1, A2, A3** for 'Line voltage' Output
400/415 Volt AC 50Hz Line Input to **B1, B2, B3** for 'Over voltage' Output