



# TorTech

Total Transformer Solutions ABN. 31 801 764 359

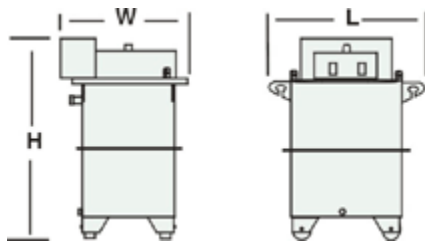
TORTECH Pty Ltd & TRANSTEST Pty Ltd  
 t/a TORTECH -A Limited Partnership  
 4/31 Wentworth St Greenacre NSW 2190  
 Po Box 194 Nth Strathfield NSW 2137  
 Tel: (02) 9642 6003 Fax: (02) 9642 6127  
 Email: general@tortech.com.au  
 Website:www.tortech.com.au

**SPECIFICATIONS**  
**Dimmer Dot**  
 Variable AC Voltage Auto Transformer  
**OIL COOLED - MOTORISED**

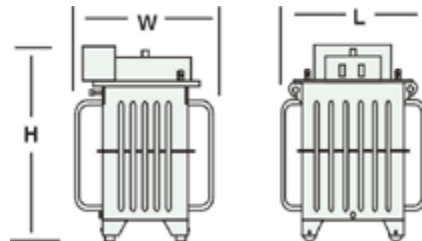
Three Phase							
Input 400/415 Volts 50 Hz							
Output 0 - 450/470 Volts AC							
Type	Nom. Amps	Cont. Amps	H	W	L	Weight No Oil	Oil Qty
D-403-T-M-15	40	40	1150	760	830	185	115
D-603-T-M-15	60	60	1150	810	910	220	130
D-1003-T-M-15	100	100	1390	1000	1130	400	290
D-2003-T-M-15	200	200	1550	1130	1260	435	385
D-4003-T-M-15	400	400	1470	1450	2100	1200	1150
D-6003-T-M-15	600	600	1900	1640	2270	1500	1800
D-8003-T-M-15	800	800	2200	1450	2150	1620	2000

All dimensions [mm] & weights [Kg] and oil quantity [Lt] are approx. only  
 Full sweep time **Standard 15 seconds**. Available in 4, 8, 30, 45, 60, 90, 120 seconds  
 Smaller units down to 4 Amps available in oil on indent only.  
 Sizes from **400 Amp** up to **1600 Amp** on indent only.

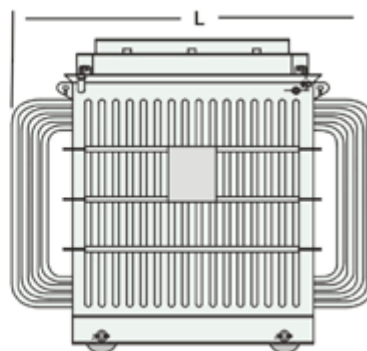
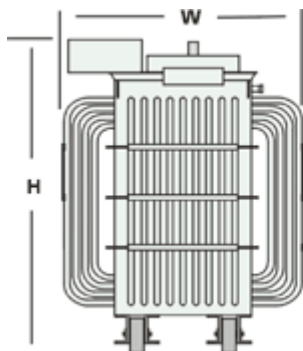
Transformer Oil AS 1767.1 - 1999



**Typical 40 Amp unit**



**Typical 60 Amp unit**



**Typical 100 Amp - 1600 Amp unit**



# TorTech

Total Transformer Solutions ABN. 31 801 764 359

TORTECH Pty Ltd & TRANSTEST Pty Ltd  
t/a TORTECH - A Limited Partnership  
4/31 Wentworth St Greenacre NSW 2190  
Po Box 194 Nth Strathfield NSW 2137  
Tel: (02) 9642 6003 Fax: (02) 9642 6127  
Email: general@tortech.com.au  
Website: www.tortech.com.au

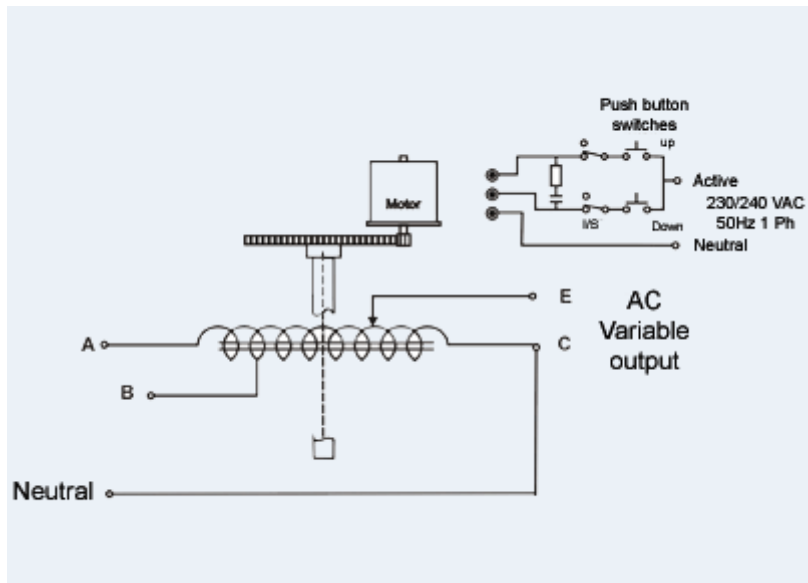
## CIRCUIT DIAGRAM

### Dimmer Dot

### Variable AC Voltage Auto Transformer

#### Single Phase - Motorised

(P) Portable - Bench top  
Air or Oil Cooled



230/240 Volt AC 50Hz Line Input to **A** for 'Line voltage' Output  
230/240 Volt AC 50Hz Line Input to **B** for 'Over voltage' Output



# TorTech

Total Transformer Solutions ABN. 31 801 764 359

TORTECH Pty Ltd & TRANSTEST Pty Ltd  
t/a TORTECH - A Limited Partnership  
4/31 Wentworth St Greenacre NSW 2190  
Po Box 194 Nth Strathfield NSW 2137  
Tel: (02) 9642 6003 Fax: (02) 9642 6127  
Email: general@tortech.com.au  
Website: www.tortech.com.au

## CIRCUIT DIAGRAM

### Dimmer Dot

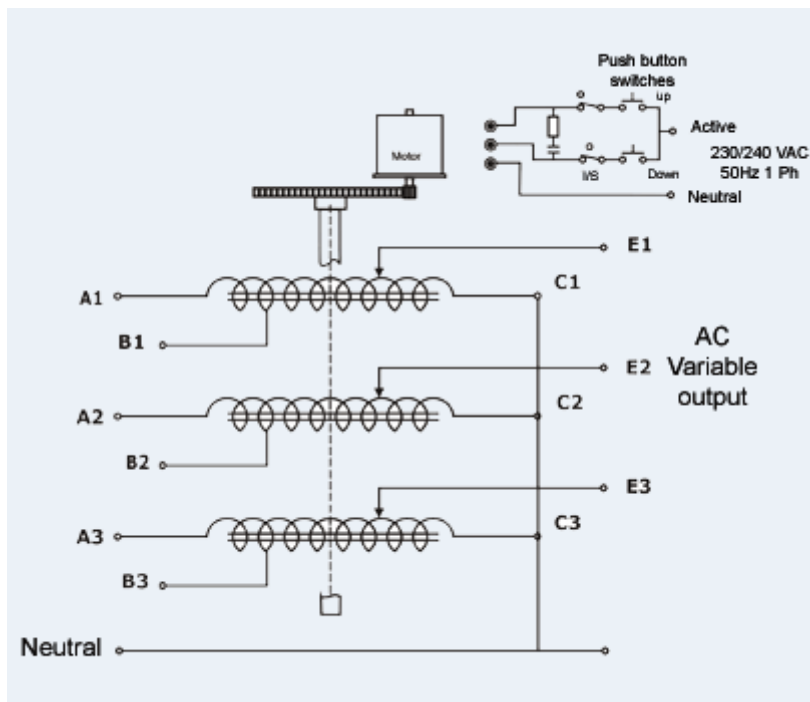
### Variable AC Voltage Auto Transformer

#### Three Phase - Motorised

(P) Portable - Bench top

(OB) Open Back - Panel Mount

Air or Oil Cooled



400/415 Volt AC 50Hz Line Input to **A1, A2, A3** for 'Line voltage' Output  
400/415 Volt AC 50Hz Line Input to **B1, B2, B3** for 'Over voltage' Output