



TorTech

Total Transformer Solutions ABN. 31 801 764 359

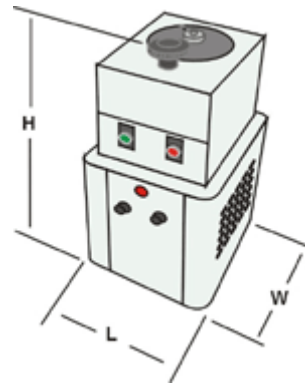
TORTECH Pty Ltd & TRANSTEST Pty Ltd
 t/a TORTECH - A Limited Partnership
 4/31 Wentworth St Greenacre NSW 2190
 Po Box 194 Nth Strathfield NSW 2137
 Tel: (02) 9642 6003 Fax: (02) 9642 6127
 Email: general@tortech.com.au
 Website: www.tortech.com.au

SPECIFICATIONS

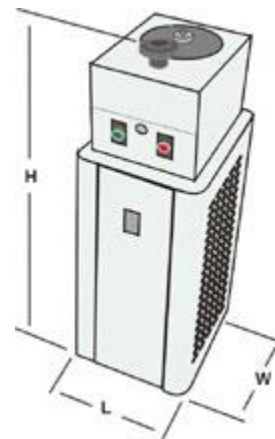
Dimmer Dot

Variable AC Voltage Auto Transformer
AIR COOLED - MOTORISED

Single Phase						
Input 230/240 Volts AC 50 Hz						
Output 0 - 260/270 Volts AC						
Type	Nom. Amps	Cont. Amps	H	W	L	Wt
D-81-P-3M-15	8	7	390	340	240	18
D-101-P-3M-15	10	9	390	340	240	19
D-151-P-3M-15	15	12	390	340	240	24
D-201-P-3M-15	20	17	410	350	270	28
D-281-P-3M-15	28	23	410	380	315	34



Three Phase						
Input 400/415 Volts AC 50 Hz						
Output 0 - 450/470 Volts AC						
Type	Nom. Amps	Cont. Amps	H	W	L	Wt
D-83-P-3M-15	8	7	680	280	200	38
D-103-P-3M-15	10	9	680	280	225	42
D-153-P-3M-15	15	12	710	310	245	58
D-203-P-10M-15	20	17	815	405	320	78
D-283-P-10M-15	28	23	825	440	360	98



See separate oil cooled specs for larger capacity

All dimensions [mm] & weights [Kg] are approx. only

Full sweep time - **Standard 15 seconds**

Also available in 4, 8, 30, 45, 60, 90, 120 seconds



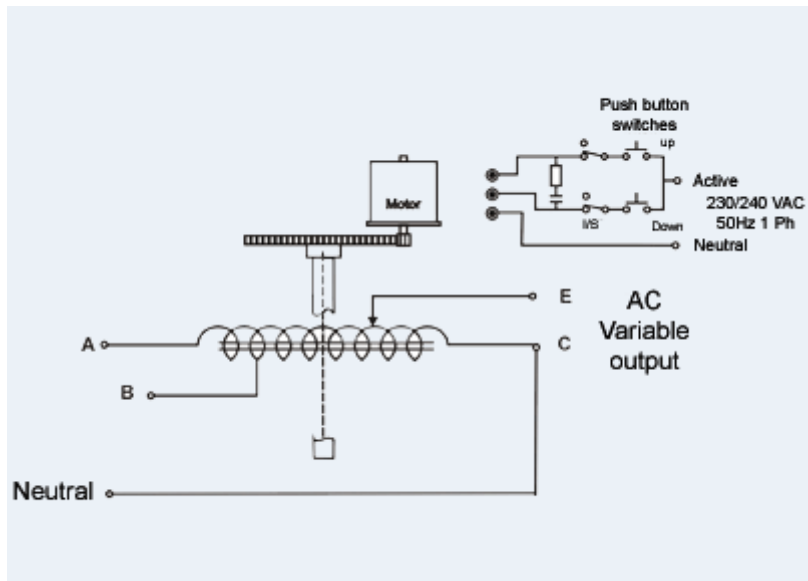
TorTech

Total Transformer Solutions ABN. 31 801 764 359

TORTECH Pty Ltd & TRANSTEST Pty Ltd
t/a TORTECH - A Limited Partnership
4/31 Wentworth St Greenacre NSW 2190
Po Box 194 Nth Strathfield NSW 2137
Tel: (02) 9642 6003 Fax: (02) 9642 6127
Email: general@tortech.com.au
Website: www.tortech.com.au

CIRCUIT DIAGRAM Dimmer Dot Variable AC Voltage Auto Transformer

Single Phase - Motorised
(P) Portable - Bench top
Air or Oil Cooled



230/240 Volt AC 50Hz Line Input to **A** for 'Line voltage' Output
230/240 Volt AC 50Hz Line Input to **B** for 'Over voltage' Output



TorTech

Total Transformer Solutions ABN. 31 801 764 359

TORTECH Pty Ltd & TRANSTEST Pty Ltd
t/a TORTECH - A Limited Partnership
4/31 Wentworth St Greenacre NSW 2190
Po Box 194 Nth Strathfield NSW 2137
Tel: (02) 9642 6003 Fax: (02) 9642 6127
Email: general@tortech.com.au
Website: www.tortech.com.au

CIRCUIT DIAGRAM

Dimmer Dot

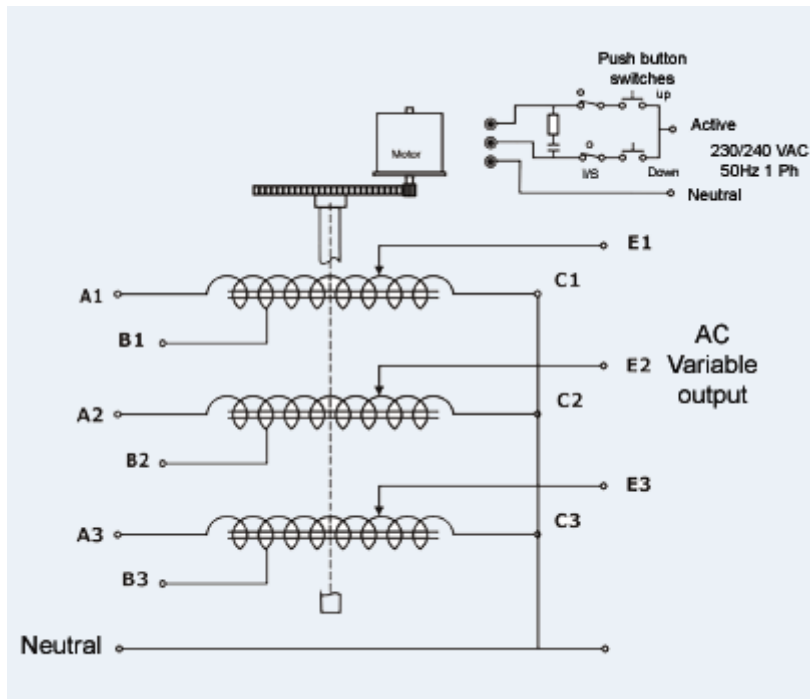
Variable AC Voltage Auto Transformer

Three Phase - Motorised

(P) Portable - Bench top

(OB) Open Back - Panel Mount

Air or Oil Cooled



400/415 Volt AC 50Hz Line Input to **A1, A2, A3** for 'Line voltage' Output
400/415 Volt AC 50Hz Line Input to **B1, B2, B3** for 'Over voltage' Output